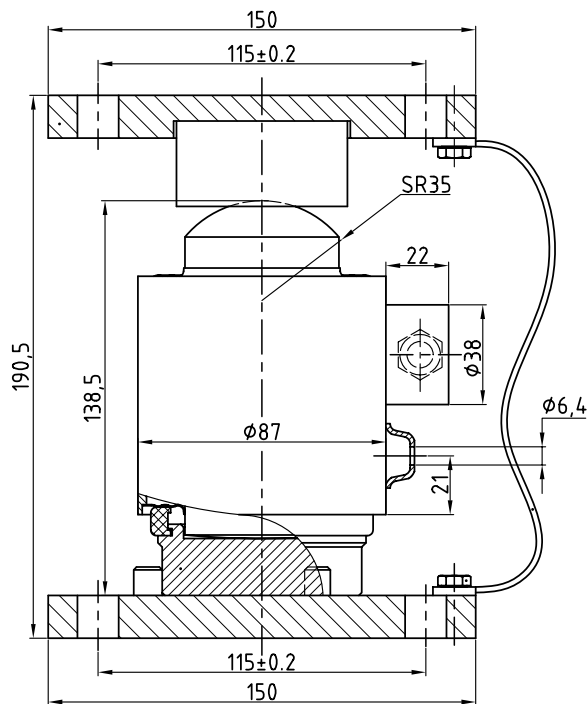
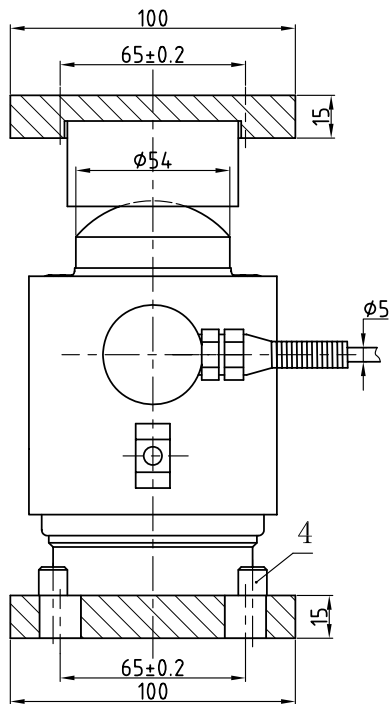




**ZSKBB/ZSKBC-A/-ASS Loadcell**

**ZSKBB/ZSKBC-A/-ASS**



Truck scale,railway scale, axle-load scale,canned scale

**TECHNICAL PARAMETER**

OAP version 4Wires:Exc+(Blue);Exc-(Black);Sig+(White);Sig-(Red)

Rated capacities(Emax)	20,25,30,50,60,75,100t	Temperature range, compensated	-10°C~+40°C
Sensitivity	1.0±0.002mV/V	Temperature range, operating	-30°C~+70°C
Total error	±0.02%F.S	Maximum safe overload	200%F.S
Creep error (30min)	±0.016%F.S	Ultimate overload	250%F.S
Zero balance	±1%F.S	Excitation,recommended	10-12V DC
TC ZERO	±0.0175%F.S/10°C	Excitation,maximum	15V DC
TC SPAN	±0.015%F.S/10°C	Protection class	IP68
Input resistance	ZSKBB:650±10Ω / ZSKBC:1080±20Ω	Construction	Alloy Steel / Stainless Steel
Output resistance	ZSKBB:610±3Ω / ZSKBC:1005±5Ω	Cable	Length:14m Diameter:Ø5mm
Insulation resistance	≥5000MΩ		

Keli CEE

ul. Żółkiewskiego 3A, 4 piętro  
63-400 Ostrow Wielkopolski

tel./fax. +48 62 592 42 78  
e-mail: info@keli-cee.com

www.keli-cee.com